

Tumble dryer

T4130, T4130C

Features and benefits

- Compass Control microprocessor
 - One knob operation for Program Selection and Start
 - Language selection
 - Large and clear display
- Residual Moisture Control for an accurate drying result and a low energy consumption
- Reversing drum for less tangling of large items
- Stainless steel drum
- Reversible door hanging for a convenient laundry flow
- Easy access to vital parts from the top and rear for simple servicing
- Serviceprogram for adjustment parameters eg. temperature, cool-down time



Main options

- Stainless steel front
- Payment: coinmeter, chip card reader, CP connection
- Stacking frame for mounting T4130 on top of W455H
- Stainless steel base frame
- Integrated condense system

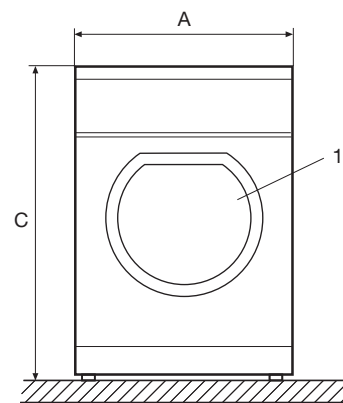
Main specifications			T4130	T4130C
Rated capacity,	filling factor 1:18	kg/lb	7.2/16	7.2/16
	filling factor 1:25	kg/lb	5.2/12	5.2/12
Drum volume		litre	130	130
Drum diameter		mm	575	575
Heating alternatives				
electric		kW	5.1	3.0
Consumption data*				
Total time full load		min	34	59
Energy consumption full load		kWh	2.75	3
Evaporation		g/min	81	43
Energy kWh/litre water evaporated		kWh/l	0.93	1.16

* At rated capacity 100% cotton load at 50% initial moisture dried to 0%.

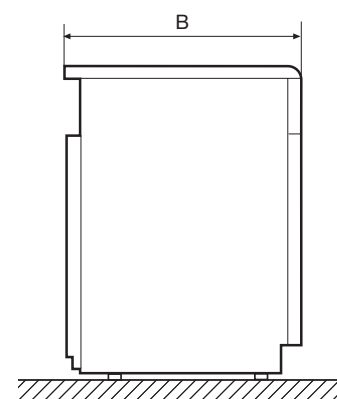
Certified in accordance with ISO 9001 and ISO 14001 and approved IP X4.

Electrical connections*		T4130	T4130C
Voltage			
220-240V 3AC 50/60 Hz	kW(A)	5.3 (16)	3.4 (16)
220-240V 1AC 50/60 Hz	kW(A)	3.4 (16)	3.4 (16)
400-440V 3NAC 50/60 Hz	kW(A)	5.3 (10)	3.4 (10)
Connections			
Air outlet	mm	∅ 100	-
Evacuated air	m ³ /h	260	-
Condensate		-	1/2"
Pressure drop	Max. Pa	50	-
Sound levels			
Airborne sound level	dB(A)	<70	<70
Heat emission			
% of installed power, max		15	15
Shipping data			
	net, kg	60	63
	crated, kg	67	70
	boxed, kg	101	101
Shipping volume	crated, m ³	0.52	0.52
	boxed, m ³	0.63	0.63
Accessories			
Stacking frame for mounting T4130 on top of W455H		x	x
Stainless steel base frame		x	x
Dimensions in mm			
A Width		595	595
B Depth		735	735
C Height		850	850
D		78	78
E		78	78
F		100	100
G		197	197
H		235	235
I		115	115
J		300	300
K		70	70
1 Door opening ∅ 370	3 Exhaust connection		
2 Electrical connection	4 Condensate connection		

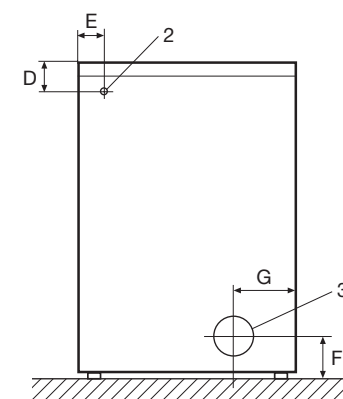
* Other voltages available, see installation manual.



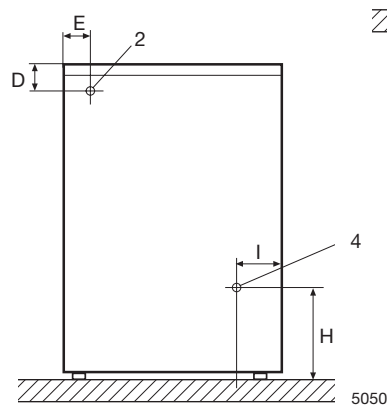
Front



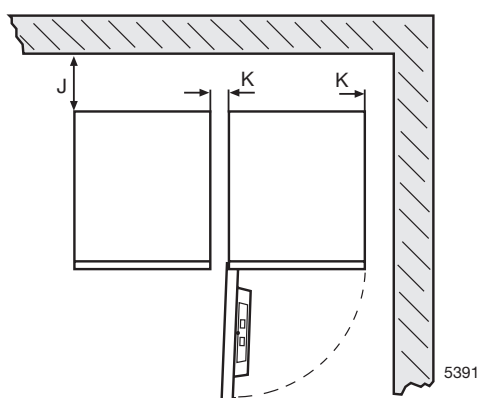
Right side



Rear side



Rear side for condensing tumbler



5391

 **Electrolux**

www.electrolux.com/professional

Share more of our thinking at www.electrolux.com

Art. No. 471150851/03.07.04
We reserve the right to alter specifications without notice.