

Tumble dryer

T4290

Features and benefits

- High productivity - 2 full loads per hour
- Selection of temperature and time for easy operation
- Large door opening for easy loading and unloading
- Large selfcleaning lint screen for easy maintenance
- Easy access to vital parts from front and rear for simple servicing
- Selecta Microprocessor control
 - 2 auto stop programs for extra dry and dry
 - 5 to 9 tailor made programs for any drying need
 - Accurate temperature control for unmatched drying accuracy
 - Anti-crease cycle for avoiding creasing if the dryer is not unloaded
 - Error codes for easy trouble shooting
 - High contrast display
- Serviceprogram for adjustment of parameters eg. temperature and cooldown time

Main options

- Stainless steel front
- Stainless steel drum
- Residual Moisture Control - RMC
- Payment: coinmeter, chip card reader, CP connection, intelligent communication
- Reversing drum
- Heat recovery system: Heat Recovery Pipes (HRP)
- CMIS
- Fresh air intake
- Emergency stop button
- Supply disconnecter



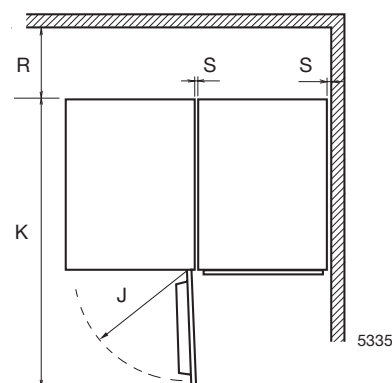
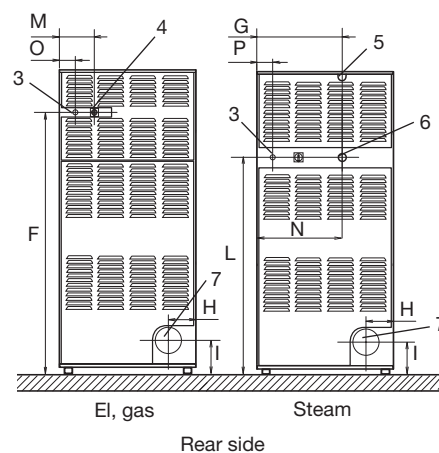
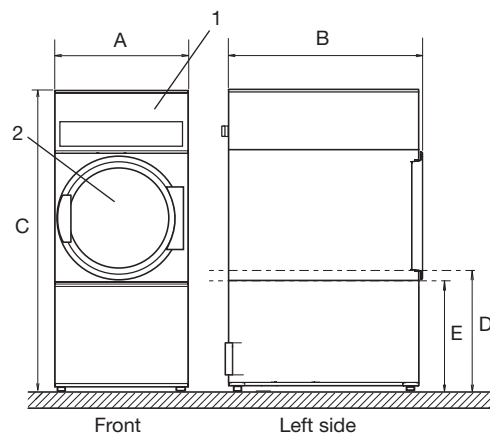
Main specifications			T4290			
Rated capacity,	filling factor 1:18	kg/lb	16/35			
	filling factor 1:25	kg/lb	11.4/25			
Drum volume		litre	286			
Drum diameter		mm	680			
Heating alternatives	electric	kW	13.5/18			
	gas	BTU/h (kW)	71 700 (21)			
	steam at 600-700 kPa	kW	27			
Consumption data*			13.5 kW	18 kW	Gas	Steam
Total time at 13.5 kg		min	35	29	25	27
Energy consumption at 13.5 kg		kWh	7.3	8.5	8	13.7
Evaporation		g/min	198	234	272	256
Energy kWh/litre water evaporated		kWh/l	1.06	1.25	1.18	1.98

* At rated capacity 100% cotton load at 50% initial moisture dried to 0%.

Certified in accordance with ISO 9001 and ISO 14001 and approved IP 42.

Electrical connections			T4290		
Heating Voltage					
El.	200-240V 3AC 50/60 Hz	kW(A)	15 (50)		
		kW(A)	19.5 (63)		
	400-415V 3(N)AC 50 Hz**	kW(A)	15 (25)		
		kW(A)	19.5 (35)		
Gas or steam	230-240V 3AC 50/60 Hz	kW(A)	0.4 (10)		
		kW(A)	0.4 (10)		
	230V 1AC 50 Hz	kW(A)	0.4 (10)		
		kW(A)	0.4 (10)		
Steam, gas and air connections					
Steam	ISO 7/1-R	1/2"			
Steam pressure	kPa	100-1000			
Steam consumption	kg/h	50-54			
Condensate	ISO 7/1-R	1/2"			
Gas	NG/PG	ISO 7/1-R	1/2"		
	TG		3/4"		
Gas pressure	Natural gas	Pa	2000		
		mbar	20		
	Propane	Pa	2800-3700		
		mbar	28-37		
Air outlet		mm	Ø 200		
Evacuated air,	el	steam	m ³ /h		
			gas	430 (13.5)/690 (18)	
			gas	925	
Pressure drop (el/steam/gas)	Max.	Pa	80/80/20		
			690		
Sound levels					
Airborne sound level		dB(A)	<70		
Heat emission					
% of installed power, max			15		
Shipping data (el/steam/gas)					
Shipping volume	net, kg	220/220/220			
	crated, kg	235/235/235			
	boxed, kg	315			
	crated, m ³	1.78			
	boxed, m ³	2.03			
Accessories					
Heat recovery pipes			HRP290		
Fresh air intake			x		
Dimensions in mm					
A	Width	710			
B	Depth	1120			
C	Height	1880			
D		780			
E		725			
F		1610			
G		470			
H		135			
I		170			
J		700			
K		1810			
L		1395			
M		250			
N		500			
O		70			
P		190			
R		500			
S		10			
1	Control panel	5	Steam connection		
2	Door opening ø 580	6	Condensate connection		
3	Electrical connections	7	Exhaust connection		
4	Gas connections				

** N is selected when using external connection.



Electrolux

www.electrolux.com/professional

Share more of our thinking at www.electrolux.com

Art. No. 438903181/01 07.04
We reserve the right to alter specifications without notice.