

Tumble dryer

T4300S

Features and benefits

- High productivity – 2 full loads (13,6 kg) per hour per pocket
- Low energy consumption for optimal efficiency and economy
- Selection of temperature and time for easy operation
- Customized user panels for specific user needs – available for Coin, AHL (Apartment House Laundry) and OPL (On Premises Laundry)
- Large door opening for easy loading and unloading
- Easy access to vital parts from front and rear for simple servicing
- Selecta Microprocessor control
 - 2 auto stop programs for extra dry and dry
 - 5 to 9 tailor made programs for any drying need
 - Accurate temperature control for unmatched drying accuracy
 - Anti-crease cycle for avoiding creasing if the dryer is not unloaded
 - Error codes for easy trouble shooting
 - High contrast display
- Serviceprogram for adjustment of parameters eg. temperature and cool-down time



Main options

- Stainless steel front
- Stainless steel drum
- Residual Moisture Control – RMC
- Reversing drum
- Payment: coinmeter, chipcard reader, central payment connection

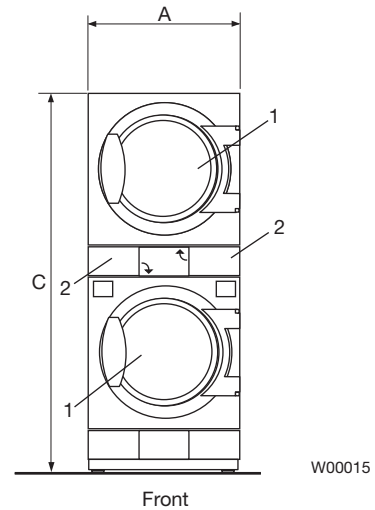
| Main specifications | | | T4300S | | | |
|-----------------------------------|---------------------|------------|-----------------------|---------|------------|----------|
| Rated capacity, | filling factor 1:18 | kg/lb | 2 x 16.7/2 x 37 | | | |
| | filling factor 1:25 | kg/lb | 2 x 12/2 x 26 | | | |
| Drum volume | | litre | 2x300 | | | |
| Drum diameter | | mm | 760 | | | |
| Heating | | | 2 x 71 700 (2 x 21) | | | |
| gas | | BTU/h (kW) | 2 x 9/2 x 13.5/2 x 18 | | | |
| el | | kW | | | | |
| Consumption data* | | | Gas | EI 9 kW | EI 13.5 kW | EI 18 kW |
| Total time at 2 x 13.6 kg | | min | 21 | 43 | 29 | 24 |
| Energy consumption at 2 x 13.6 kg | | kWh | 7.11 | 6.65 | 6.51 | 6.51 |
| Evaporation | | g/min | 329 | 160 | 231 | 279 |
| Energy kWh/litre water evaporated | | kWh/l | 1.03 | 0.96 | 0.97 | 0.97 |

* At rated capacity 100% cotton load at 50% initial moisture dried to 0%.

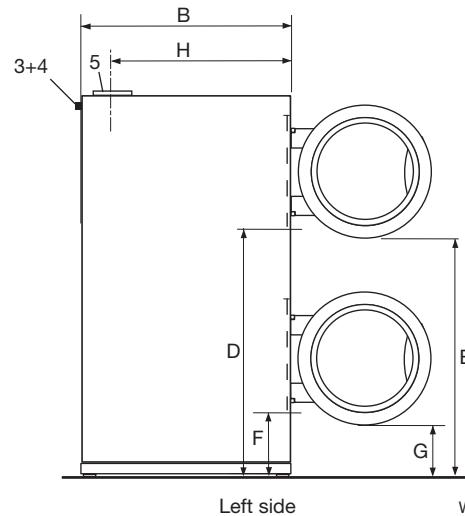
Certified in accordance with ISO 9001 and ISO 14001 and approved IP X4.

| Electrical connections | | | T4300S |
|---------------------------|-----------------------------|------------------------|-------------------|
| Heating Voltage | | | |
| Gas | 120V 1AC 60 Hz | kW(A) | 2 x 1 (2 x 15) |
| | 208V-240V 1AC 60 Hz | kW(A) | 2 (15) |
| | 200V 3AC 50/60 Hz | kW(A) | 2 (10) |
| | 230V 1AC 50 Hz | kW(A) | 2 (10) |
| | 400V-440V 3NAC 3AC 50/60 Hz | kW(A) | 2 (10) |
| | 400V-415V 3NAC 3AC 50 Hz | kW(A) | 2 (10) |
| | 400V-480V 3AC 60 Hz | kW(A) | 2 (10) |
| EI | 230V-240V 3AC 50/60 Hz | kW(A) | 2 x 10 (2 x 35) |
| | 400V-415V 3AC 50 Hz | kW(A) | 2 x 10 (2 x 16) |
| | 400V-415V 3AC 50 Hz | kW(A) | 2 x 14.5 (2 x 25) |
| | 400V-415V 3AC 50 Hz | kW(A) | 2 x 19 (2 x 35) |
| | 400V-480V 3AC 60 Hz | kW(A) | 2 x 10 (2 x 16) |
| | 400V-480V 3AC 60 Hz | kW(A) | 2 x 14.5 (2 x 25) |
| | 400V-480V 3AC 60 Hz | kW(A) | 2 x 19 (2 x 35) |
| Gas and air connections | | | |
| Gas | ISO 7/1-R | | 1/2" |
| Gas pressure | Natural gas | Pa | 2000 |
| | | mbar | 20 |
| | Propane | Pa | 2800-5000 |
| | | mbar | 28-50 |
| Air outlet | | ø mm | 200 |
| Evacuated air, | gas/el | m ³ /h | 2 x 600 |
| Pressure drop | gas/el | Max. Pa | 400 |
| Sound levels | | | |
| Airborne sound level | | dB(A) | <70 |
| Heat emission | | | |
| % of installed power, max | | | 15 |
| Shipping data | | | |
| | | net, kg | 295 |
| | | crated, kg | 315 |
| | | crated, m ³ | 2.0 |
| Dimensions in mm | | | |
| A | Width | | 790 |
| B | Depth | | 1110 |
| C | Height | | 1940 |
| D | | | 1270 |
| E | | | 1210 |
| F | | | 320 |
| G | | | 260 |
| H | | | 925 |
| I | | | 125 |
| K | | | 1930 |
| L | | | 30 |
| M | | | 105 |
| N | | | 1840 |
| O | | | 740 |
| 1 | Door opening ø 580 mm | 4 | Gas connection |
| 2 | Operating panel | 5 | Air outlet |
| 3 | Electric connection | | |

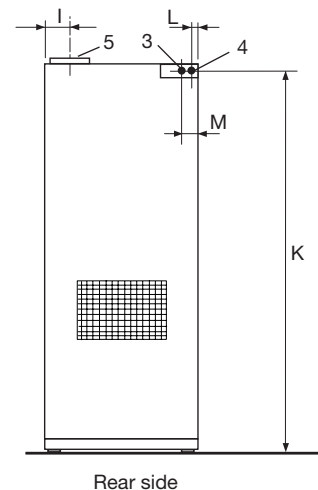
* Other voltages available, see installation manual.



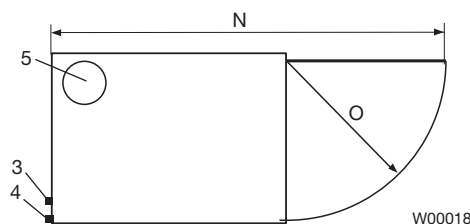
W00015



W00016



W00017



Electrolux

www.electrolux.com/professional

Share more of our thinking at www.electrolux.com

Art. No. 435918821/04.07.04
We reserve the right to alter specifications without notice.