

# Washer extractors

## W4130H, W4180H, W4240H

### Features and benefits

- High extraction force for efficient dewatering
- Available with two types of program controls:
  - Compass Control® with:**
    - Large display and one dial for easy program selection
    - Language selection
    - Two Quick Start buttons for frequently used wash programs
    - Wash program packages optimized on *Economy*, *Performance and Time*
  - Clarus Control® with:**
    - Fully programmable microprocessor
    - All relevant wash parameters can be programmed
    - Programming from key pad or downloading via memory card
- AWS – Automatic Weighing System with Compass Control – determine the wash load and adopt the water intake accordingly. Savings on water and energy if machine is not fully loaded
- Extremely low water and energy consumption – see table below
- Four compartment soap box for manual dosing of powder or liquid detergent
- Stainless steel front panel and grey side panels
- Large door opening for easy loading/unloading
- Low noise level, for pleasant working environment
- SuperBalance™ guarantees the correct extraction force



Clarus Control



Compass Control

### Main options

- Automatic liquid detergent supply (optional I/O board for Compass Control)
- IWS – Integrated Weighing System™ – actual load will be shown in the display (Clarus Control only)
- Stainless steel side panel (Clarus Control only)
- Connection to payment system or coin meter (Compass Control only)
- Dual drain valves for water re-use (Clarus Control)
- Dynamic Balancing System™ eliminates noise and vibration (not W4240H)

Main specifications				W4130H		W4180H		W4240H	
Max. capacity		kg/lb		14/30		20/40		27/55	
Drum, volume	diameter	litre		130		180		240	
		ø mm		650		725		795	
Extraction		rpm		980		930		890	
G-factor				350		350		350	
Heating alternatives, 230/400V	electricity	kW		12.5		17.5		19.4	
		steam		x		x		x	
		non-heated		x		x		x	
<b>Consumption data "Normal 60°C" * (3G01)</b>				El	Steam	El	Steam	El	Steam
Total time		min		47	**	45	**	46	**
Water consumption (cold/hot)		litre		86/22	86/22	124/31	124/31	167/42	167/42
Energy consumption (motor/heating)*		kWh		0.3/0.55	0.3	0.5/0.8	0.5	0.6/1.1	0.6
Steam consumption		kg		-	0.8	-	1.2	-	1.6

\* Water temperature 15°C cold water and 65°C hot water.

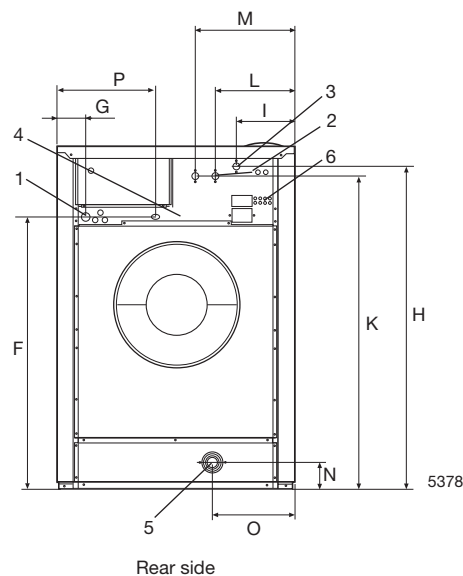
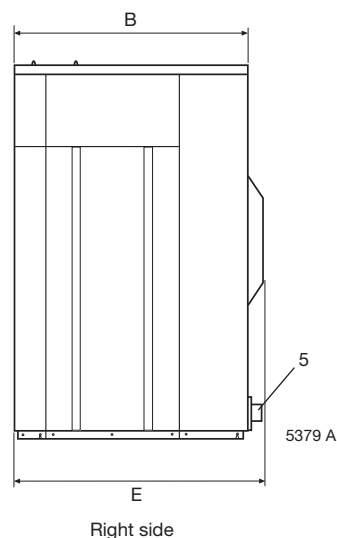
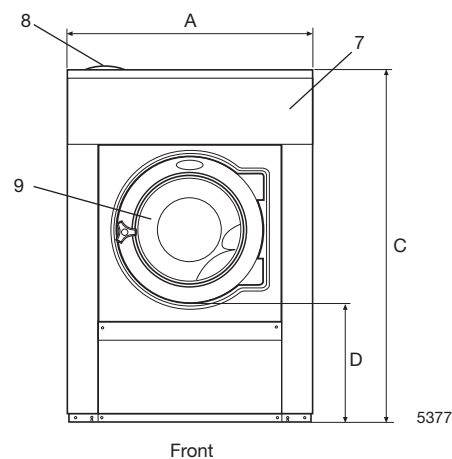
\*\* Depending on steam pressure.

Certified in accordance with ISO 9001 and ISO 14001 and approved IP 24D.

Electrical connections*			W4130H	W4180H	W4240H
Heating	Voltage				
El.	230V 3 AC 50 Hz	kW(A)	12.5(35)	17.5(50)	19.4(63)
	240V 3AC 60 Hz	kW(A)	12.5(35)	17.5(50)	20.9(63)
	400V 3N AC 50 Hz	kW(A)	12.5(20)	17.5(35)	19.4(35)
Steam or non-heated	230V 1AC 60 Hz	kW(A)	1.6(10)	2.3(16)	2.6(16)
	240V 1AC 60 Hz	kW(A)	1.6(10)	2.3(16)	2.6(16)
	230V 1AC 50 Hz	kW(A)	1.6(10)	2.3(16)	2.6(16)
Water and steam connection					
Water valves		DN	20	20	20
Water pressure		kPa	150-400	150-400	150-400
Capacity at 300 kPa		l/min	27	60	60
Drain valve		Ømm	75	75	75
Draining capacity		l/min	150	150	150
Steam valve		DN	15	15	15
Steam pressure		kPa	300-600	300-600	300-600
Liquid detergent supplies			5	5	5
Floor requirements					
Frequency of the dynamic force		Hz	16.4	15.5	14.8
Max floor load at extraction		kN	3.0±0.5	3.9±1.0	4.5±1.0
Sound levels					
Sound pressure level**		dB(A)	70	75	78
Sound power level (IEC 60704-2-4)		dB(A)	78	83	83
Heat emission					
% of installed power, max			5	5	5
Shipping data					
Weight	net, kg		267	356	429
	crated, kg		284	376	448
Shipping volume		m <sup>3</sup>	1.27	1.64	1.79
Accessories					
Steel base frame			x	x	x
Water re-use tank (Clarus Control)			x	x	x
Hose kits for water or steam			x	x	x
Fluff collector			x	-	-
Dimensions in mm					
A	Width		910	970	1020
B	Depth		785	870	915
C	Height		1325	1410	1445
D			435	470	500
E			825	945	955
F			1035	1120	1155
G			125	115	100
H			1245	1330	1360
I			215	230	215
K			1225	1290	1320
L			300	315	300
M			-	395	380
N			100	100	100
O			305	335	360
P			455	485	510
1	Electrical connections	6	Liquid supply connections		
2	Cold water	7	Control panel		
3	Hot water	8	Soap box		
4	Steam connection	9	Door opening ø395 (W4130H), ø435 (W4180H,W4240H)		
5	Drain				

\* Other voltages available, see installation manual.

\*\* Approx. value at operators position in a mid-size laundry room.



**Electrolux**

www.electrolux.com/professional

Share more of our thinking at [www.electrolux.com](http://www.electrolux.com)

Art. No. 435901921/01 07.04  
We reserve the right to alter specifications without notice.