

Washer extractors

W4130N, W4180N, W4250N

Features and benefits

- Solid mount construction with robust frame in galvanized steel
- Extremely low water and energy consumption – see table below
- Available with two types of program controls:
 - Classic Control with:**
 - Program timer available in two versions; either with 5 wash programs (laundrettes) or 10 wash programs (other laundries)
 - Compass Control® with:**
 - Large display and one dial for easy program selection
 - Language selection
 - Two Quick Start buttons for frequently used wash programs
 - Wash program packages optimized on *Economy*, *Performance* and *Time*
- Four compartment soap box for manual dosing of powder or liquid detergent
- Large door opening for easy loading/unloading
- Stainless and galvanized steel in all vital parts for high degree of rust protection



Compass Control



Classic Control

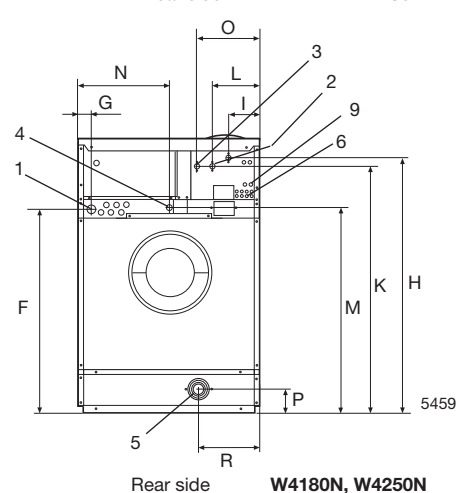
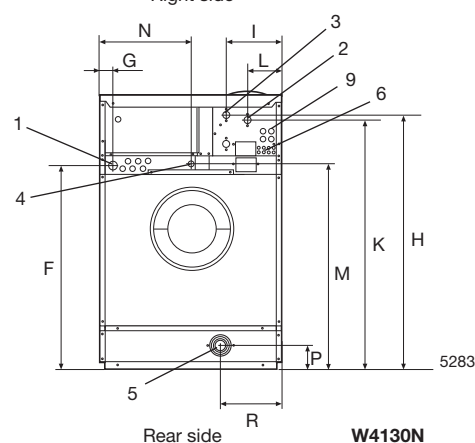
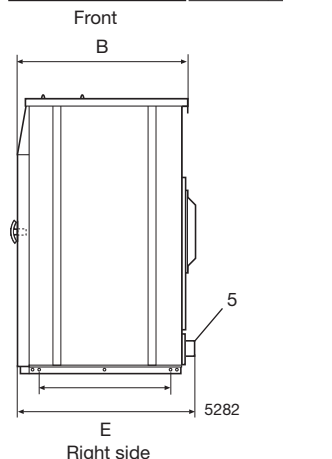
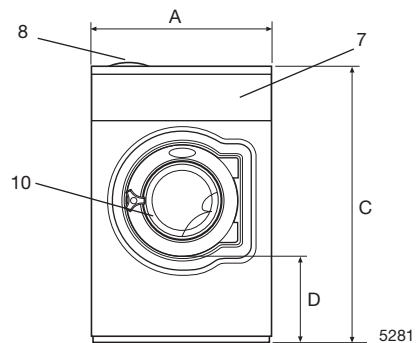
Main options

- Automatic liquid detergent supply (optional I/O board for Compass Control)
- Stainless steel front panel
- Stainless steel side panels (only for Milk farm version)
- Connection of coin meter

Main specifications				W4130N		W4180N		W4250N	
Max. capacity		kg/lb	14/30		20/40		28/55		
Drum, volume diameter	volume	litre	130		180		250		
	diameter	ø mm	595		650		725		
Extraction		rpm	494		471		446		
G-factor			81		81		81		
Heating alternatives, 230/400V	electricity	kW	7.3/9.6		12.5		17.2		
	steam		x		x		x		
	non-heated		x		x		x		
Consumption data "Normal 60°C" * (3G01)				El	Steam	El	Steam	El	Steam
Total time		min	49	**	50	**	48	**	
Water consumption (cold/hot)		litre	93/25	93/25	134/35	134/35	183/47	183/47	
Energy consumption (motor/heating)*		kWh	0.2/0.6	0.2	0.25/0.9	0.25	0.35/1.2	0.35	
Steam consumption		kg	–	0.9	–	1.35	–	1.8	
* Water temperature 15°C cold water and 65°C hot water.									
** Depending on steam pressure.									

Certified in accordance with ISO 9001 and ISO 14001 and approved IP 24D.

Electrical connections*		W4130N	W4180N	W4250N
Heating	Voltage			
El.	230V 3 AC 50 Hz	kW(A) 9.6(35)	12.5(50)	17.2(50)
	240V 3AC 60 Hz	kW(A) 9.6(35)	12.5(50)	17.2(50)
	400V 3N AC 50 Hz	kW(A) 9.6(16)	12.5(25)	17.2(35)
Steam or non-heated	230V 1AC 50 Hz	kW(A) 1.4(10)	2.1(10)	2.8(16)
	240V 1AC 60 Hz	kW(A) 1.2(10)	2.3(10)	2.8(16)
Water and steam connection				
Water valves	DN	20	20	20
Water pressure	kPa	150-400	150-400	150-400
Capacity at 300 kPa	l/min	20	60	60
Drain valve	Ømm	75	75	75
Draining capacity	l/min	150	150	150
Steam valve	DN	15	15	15
Steam pressure	kPa	300-600	300-600	300-600
Liquid detergent supplies		5	5	5
Floor requirements				
Frequency of the dynamic force	Hz	8.7	7.9	8.3
Max floor load at extraction	kN	1.7±4.1	2.2±4.7	2.8±5.3
Sound levels				
Sound pressure level**	dB(A)	70	64	68
Sound power level (IEC 60704-2-4)	dB(A)	76	71	75
Heat emission				
% of installed power, max		5	5	5
Shipping data				
Shipping volume	net, kg	183	222	282
	crated, kg	196	240	302
	m ³	0.91	1.18	1.51
Accessories				
Steel base frame		x	x	-
Hose kits for water or steam		x	x	x
Fluff collector		x	-	-
Dimensions in mm				
A	Width	720	750	830
B	Depth	790	880	955
C	Height	1200	1325	1410
D		365	435	495
E		830	915	990
F		910	1035	1120
G		45	45	45
H		1115	1245	1330
I		215	130	160
K		1095	1225	1290
L		130	215	245
M		910	1040	1125
N		420	325	325
O		-	295	335
P		100	100	100
R		230	225	265
1	Electrical connections	7	Control panel	
2	Cold water	8	Soap box	
3	Hot water	9	Connections for water re-use	
4	Steam connection	10	Door opening ø365 (W4130N)	
5	Drain		ø395 (W4180N) ø435, (W4250N)	
6	Liquid supply connections			



Front and side panels in light grey with "Blue Wave" on front panel (RAL 260 70 05, 250 60 30)

* Other voltages available, see installation manual

** Approx. value at operators position in a mid-size laundry room

Electrolux

www.electrolux.com/professional

Share more of our thinking at www.electrolux.com

Art. No. 438901801/01 07.04
We reserve the right to alter specifications without notice.