

Washer extractors

W465H, W475H, W4105H

Features and benefits

- High extraction force for efficient dewatering
- Available with two types of program controls:
 - Compass Control® with:**
 - Large display and one dial for easy program selection
 - Language selection
 - Two Quick Start buttons for frequently used wash programs
 - Wash program packages optimized on *Economy, Performance and Time*
 - Clarus Control® with:**
 - Fully programmable microprocessor
 - All relevant wash parameters can be programmed
 - Programming from key pad or downloading via memory card
- AWS – Automatic Weighing System with Compass Control – determine the wash load and adopt the water intake accordingly. Savings on water and energy if machine is not fully loaded
- Extremely low water and energy consumption – see table below
- Four compartment soap box for manual dosing of powder or liquid detergent
- Large door opening for easy loading/unloading
- Low noise level for pleasant working environment
- Stainless and galvanized steel in all vital parts for high degree of rust protection
- SuperBalance™ guarantees the correct extraction force



Compass Control

Main options

- Automatic liquid detergent supply (optional I/O board for Compass Control)
- Stainless steel front panel
- Stainless steel side panel (Clarus Control only)
- Connection to payment system or coin meter (Compass Control only)
- Drain pump

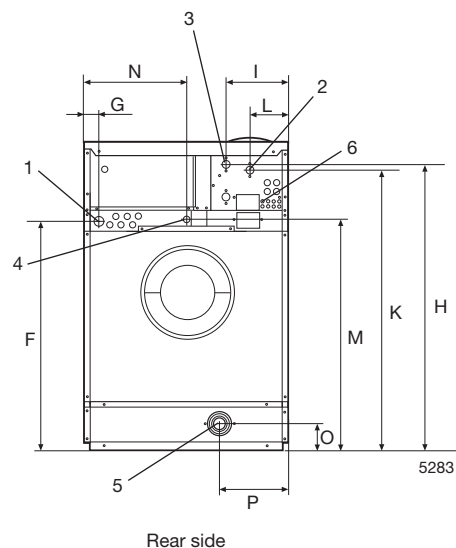
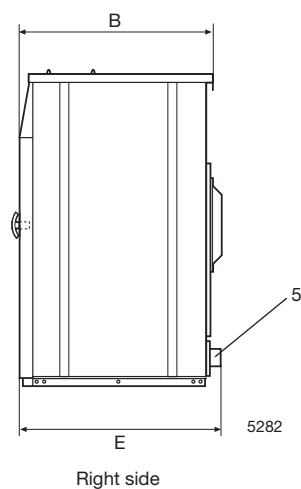
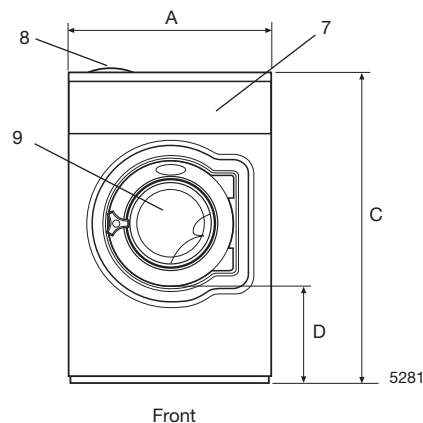


Clarus Control

Main specifications				W465H		W475H		W4105H	
Max. capacity		kg/lb		7/15		8/18		11/25	
Drum,	volume	litre		65		75		105	
	diameter	ø mm		520		520		595	
Extraction		rpm		1100		1100		1025	
G-factor				350		350		350	
Heating alternatives, 230/400V	electricity	kW		2/3/5.4/7.4		2/3/5.4/7.4		7.4/9.7	
	steam			x		x		x	
	non-heated			x		x		x	
Consumption data "Normal 60°C" * (3G01)				El	Steam	El	Steam	El	Steam
Total time		min		45	**	45	**	46	**
Water consumption (cold/hot)		litre		43/11	43/11	49/13	49/13	68/18	68/18
Energy consumption (motor/heating)*		kWh		0.15/0.3	0.15	0.2/0.3	0.2	0.25/0.45	0.25
Steam consumption		kg		-	0.5	-	0.45	-	0.7
* Water temperature 15°C cold water and 65°C hot water									
** Depending on steam pressure									

Certified in accordance with ISO 9001 and ISO 14001 and approved IP 24D.

Electrical connections*			W465H	W475H	W4105H
Heating	Voltage				
El.	230V 1AC 50 Hz	kW(A)	7.3(35)	7.4(35)	9.7(50)
	230V 3AC 50 Hz	kW(A)	7.3(20)	7.4(25)	9.7(35)
	240V 3AC 60 Hz	kW(A)	7.3(20)	7.4(25)	9.7(35)
	400V 3N AC 50 Hz	kW(A)	7.4(16)	7.4(16)	9.7(16)
Steam or non-heated	230V 1AC 60 Hz	kW(A)	1.0(10)	1.1(10)	1.3(10)
	240V 1AC 60 Hz	kW(A)	1.0(10)	1.1(10)	1.3(10)
	230V 1AC 50 Hz	kW(A)	1.0(10)	1.1(10)	1.3(10)
Water and steam connection					
Water valves	DN		20	20	20
Water pressure	kPa		150-400	150-400	150-400
Capacity at 300 kPa	l/min		27	27	27
Drain valve	ømm		50/75	50/75	50/75
Draining capacity	l/min		150	150	150
Steam valve	DN		15	15	15
Steam pressure	kPa		300-600	300-600	300-600
Liquid detergent supplies			5	5	5
Floor requirements					
Frequency of the dynamic force	Hz		18.3	18.3	17.1
Max floor load at extraction	kN		1.6±0.5	1.8±0.5	2.3±0.5
Sound levels					
Sound pressure level**	dB(A)		64	65	69
Sound power level (IEC 60704-2-4)	dB(A)		73	72	77
Heat emission					
% of installed power, max			5	5	5
Shipping data					
Weight	net, kg		154	159	212
	crated, kg		167	179	225
Shipping volume	m ³		0.75	0.75	0.99
Accessories					
Steel base			x	x	x
Hose kits for water or steam			x	x	x
Fluff collector			x	x	x
Dimensions in mm					
A	Width		720	720	830
B	Depth		690	690	705
C	Height		1115	1115	1200
D			355	355	365
E			720	720	740
F			825	825	910
G			45	45	45
H			1030	1030	1115
I			220	220	220
K			1010	1010	1100
L			135	135	135
M			830	830	910
N			360	360	415
O			100	100	100
P			240	240	295
1	Electrical connection	6	Liquid supply connections		
2	Cold water	7	Control panel		
3	Hot water	8	Soap box		
4	Steam connection	9	Door opening ø310 (W465H, W475H), ø365 (W4105H)		
5	Drain				



Front and side panels in light grey with "Blue Wave" on front panel (RAL 260 70 05, 250 60 30)

* Other voltages available, see installation manual

** Approx. value at operators position in a mid-size laundry room

Electrolux

www.electrolux.com/professional

Share more of our thinking at www.electrolux.com

Art. No. 438901901/01 07.04
We reserve the right to alter specifications without notice.