

Washer extractors

W475N, W485N, W4105N

Features and benefits

- Solid mount construction with robust frame in galvanized steel
- Extremely low water and energy consumption – see table below
- Available with two types of program controls:
 - Classic Control with:**
 - Program timer available in two versions; either with 5 wash programs (laundrettes) or 10 wash programs (other laundries)
 - Compass Control® with:**
 - Large display and one dial for easy program selection
 - Language selection
 - Two Quick Start buttons for frequently used wash programs
 - Wash program packages optimized on *Economy*, *Performance* and *Time*
- Four compartment soap box for manual dosing of powder or liquid detergent
- Large door opening for easy loading/unloading
- Stainless and galvanized steel in all vital parts for high degree of rust protection



Compass Control



Classic Control

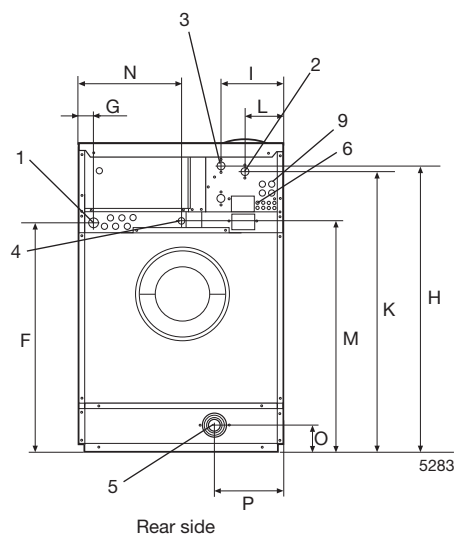
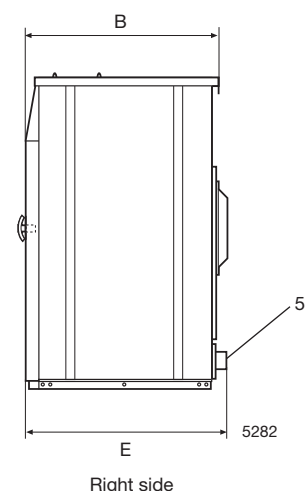
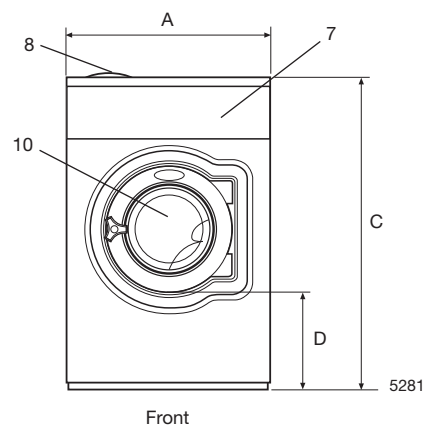
Main options

- Automatic liquid detergent supply (optional I/O board for Compass Control)
- Stainless steel front panel
- Stainless steel side panels (only for Milk farm version)
- Connection of coin meter
- Drain pump

Main specifications				W475N		W485N		W4105N	
Max. capacity		kg/lb	8/18		9/20		11/25		
Drum, volume		litre	75		85		105		
	diameter	ø mm	520		520		595		
Extraction		rpm	528		528		494		
G-factor			81		81		81		
Heating alternatives, 230/400V	electricity	kW	2/3/5.4/7.2		2/3/5.4/7.2		7.2/9.5		
	steam		x		x		x		
	non-heated		x		x		x		
Consumption data "Normal 60°C" * (3G01)				El	Steam	El	Steam	El	Steam
Total time		min	46	**	46	**	47	**	
Water consumption (cold/hot)		litre	54/14	54/14	55/15	55/15	72/20	72/20	
Energy consumption (motor/heating)*		kWh	0.15/0.35	0.15	0.15/0.35	0.15	0.15/0.5	0.15	
Steam consumption		kg	–	0.5	–	0.5	–	0.7	
* Water temperature 15°C cold water and 65°C hot water									
** Depending on steam pressure									

Certified in accordance with ISO 9001 and ISO 14001 and approved IP 24D.

Electrical connections*			W475N	W485N	W4105N
Heating	Voltage				
El.	230V 1AC 50 Hz	kW(A)	7.5(35)	7.5(35)	9.5(35)
	230V 3AC 50 Hz	kW(A)	7.2(25)	7.5(25)	9.5(35)
	240V 3AC 60 Hz	kW(A)	7.2(25)	7.2(25)	9.5(35)
	400V 3N AC 50 Hz	kW(A)	7.2(16)	7.2(16)	9.5(16)
Steam or non-heated	240V 1AC 60 Hz	kW(A)	1.1(10)	1.1(10)	1.1(10)
	230V 1AC 50 Hz	kW(A)	1.1(10)	1.1(10)	1.1(10)
	230V 3AC 50 Hz	kW(A)	1.1(10)	1.3(10)	1.6(10)
	240V 3AC 60 Hz	kW(A)	1.1(10)	1.3(10)	1.6(10)
Water and steam connection					
Water valves	DN		20	20	20
Water pressure	kPa		150-400	150-400	150-400
Capacity at 300 kPa	l/min		20	20	20
Drain valve	ømm		75	75	75
Draining capacity	l/min		150	150	150
Steam valve	DN		15	15	15
Steam pressure	kPa		300-600	300-600	300-600
Liquid detergent supplies			5	5	5
Floor requirements					
Frequency of the dynamic force	Hz		9.3	9.3	8.7
Max floor load at extraction	kN		1.1±2.8	1.2±3.1	1.4±3.5
Sound levels					
Sound pressure level**	dB(A)		63	63	63
Sound power level (IEC 60704-2-4)	dB(A)		69	69	69
Heat emission					
% of installed power, max			5	5	5
Shipping data					
	net, kg		132	136	170
	crated, kg		145	150	183
Shipping volume	m ³		0.74	0.74	0.9
Accessories					
Steel base frame			x	x	x
Hose kits for water or steam			x	x	x
Fluff collector			x	x	x
Dimensions in mm					
A	Width		660	660	720
B	Depth		690	730	705
C	Height		1115	1115	1200
D			355	355	365
E			725	765	745
F			825	825	910
G			45	45	45
H			1030	1030	1115
I			215	215	215
K			1010	1010	1095
L			130	130	130
M			830	830	910
N			385	385	420
O			100	100	100
P			210	210	230
1	Electrical connection	6	Liquid supply connections		
2	Cold water	7	Control panel		
3	Hot water	8	Soap box		
4	Steam connection	9	Connections for water re-use		
5	Drain	10	Door opening ø310 (W475N,W485N), ø365 (W4105N)		



Front and side panels in light grey with "Blue Wave" on front panel (RAL 260 70 05, 250 60 30)

* Other voltages available, see installation manual

** Approx. value at operators position in a mid-size laundry room

Electrolux

www.electrolux.com/professional

Share more of our thinking at www.electrolux.com

Art. No. 438906981/01 07.04
We reserve the right to alter specifications without notice.